



Model Number

V1-4A-E2-10M-PUR

Quadruple splitter box with M12 connector with basic cable

Features

- LED indicator for module supply and I/O status
- UL Recognized Component
- Suitable for drag chains

Accessories

VAZ-V1-B3

Blind plug for M12 sockets

MH 05-SACB-4

Mounting aid for splitter boxes for DIN rail

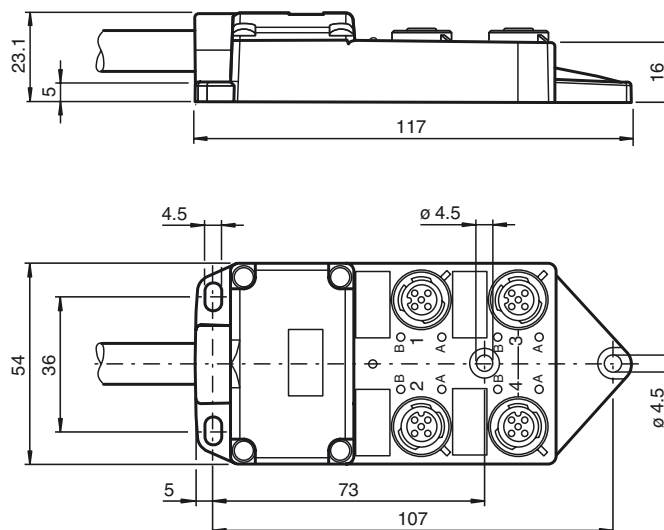
MH V1-BIT M12

plug-in cap M12

MH V1-SCREWDRIVER

torque screwdriver (0.6 Nm)

Dimensions



Technical data

General specifications

| | |
|----------------|---------|
| Number of pins | 4 |
| UL File Number | E191152 |

Electrical specifications

| | | |
|--------------------------|----------------|--|
| Operating voltage | U _B | 24 V DC, max. 30 V DC |
| Operating current | I _B | ≤ 5 mA per channel indication element |
| Current loading capacity | | ≤ 2 A per channel, ≤ 4 A per plug-in station, ≤ 12 A total current per separator |

Output

| | |
|-------------|---|
| Number/Type | 4 |
|-------------|---|

Ambient conditions

| | |
|---------------------|---|
| Ambient temperature | housing: -25 ... 80 °C (-13 ... 176 °F) cable, flexing: -5 ... 80 °C (23 ... 176 °F) cable, fixed: -40 ... 90 °C (-40 ... 194 °F) |
|---------------------|---|

Mechanical specifications

| | |
|------------------------|---|
| Connection type | 4 x socket M12 x 1 4-pin Master cable |
| Degree of protection | IP65/IP67 |
| Material | |
| Contacts | Cu alloy |
| Contact surface | Au |
| Housing | PBT |
| Threaded bushings | PBT |
| Cable | PUR |
| Seal | O-ring: NBR |
| Core insulation | PVC |
| Cable | flexible |
| Sheath diameter | Ø 6.9 mm |
| Bending radius | > 10 x cable diameter, moving > 7.5 x cable diameter, fixed |
| Color | black |
| Cores | Signalling line (4): 4 x 0.34 mm ² (AWG 22) Supply line (1, 3), PE (5): 3 x 0.75 mm ² (AWG 18) |
| Conductor construction | 19 x 0.15 mm Ø and 42 x 0.15 mm Ø |
| Length | L 10 m |
| Drag chain suitability | |
| Drag chain cycles | ≥ 1500000 |
| Motion velocity | ≤ 2 m/s |
| Traverse distance | 2 m |
| Mass | approx. 920 g |

Compliance with standards and directives

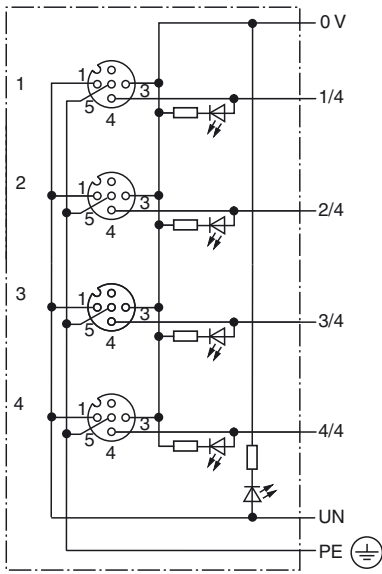
Release date: 2018-11-14 10:37 Date of issue: 2018-11-14 259976_eng.xml

Standard conformity

Degree of protection EN 60529

Flammability DIN EN 50265-2-1

Electrical connection



| Slot/Pin (signal) | Color |
|-------------------|-------|
| 1 / 4 (A) | WH |
| 2 / 4 (A) | GN |
| 3 / 4 (A) | YE |
| 4 / 4 (A) | GY |
| 1-4 / 1 (UN) | BN |
| 1-4 / 3 (0 V) | BU |
| 1-4 / 5 (PE) | GN/YE |

